

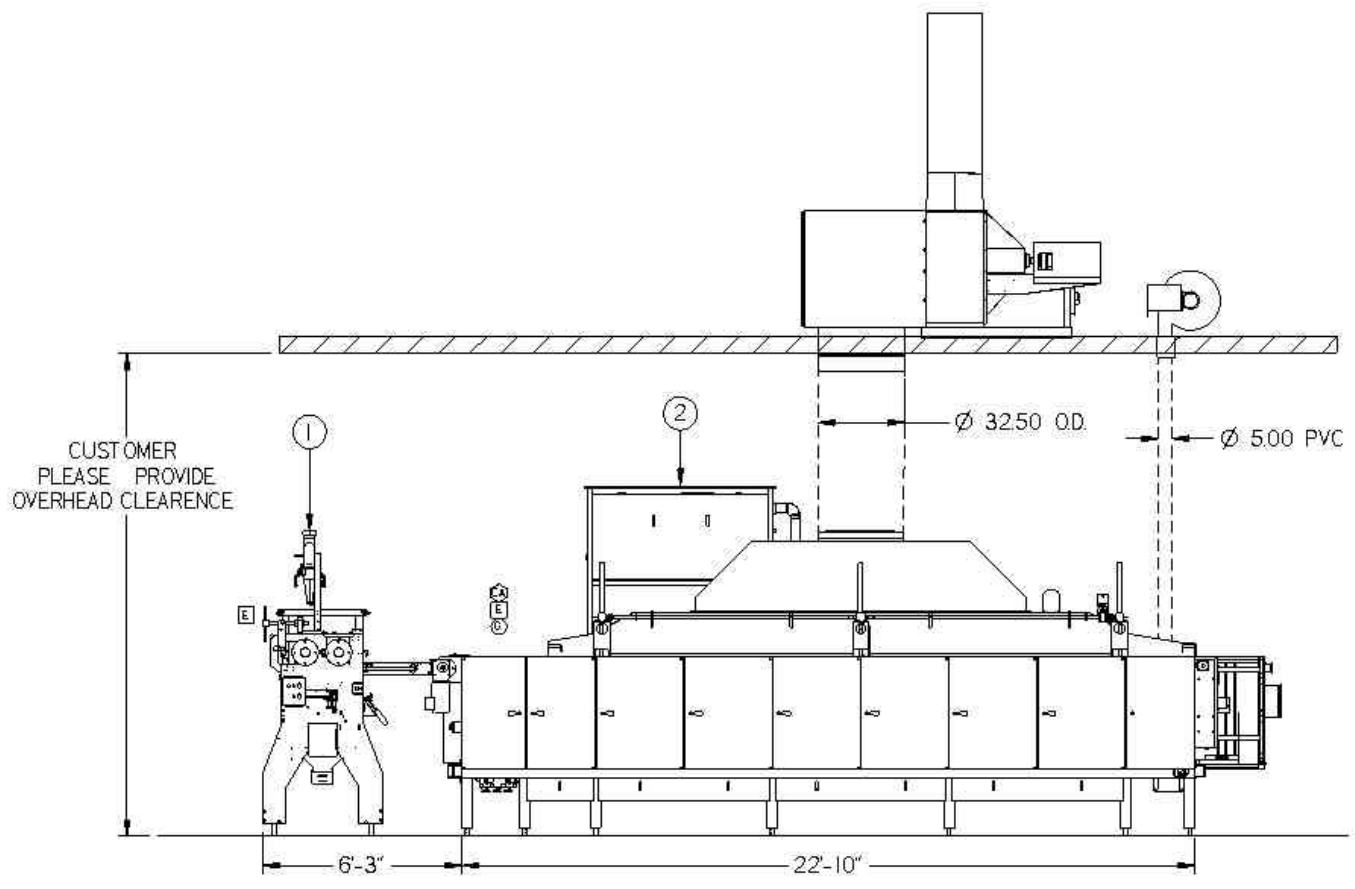
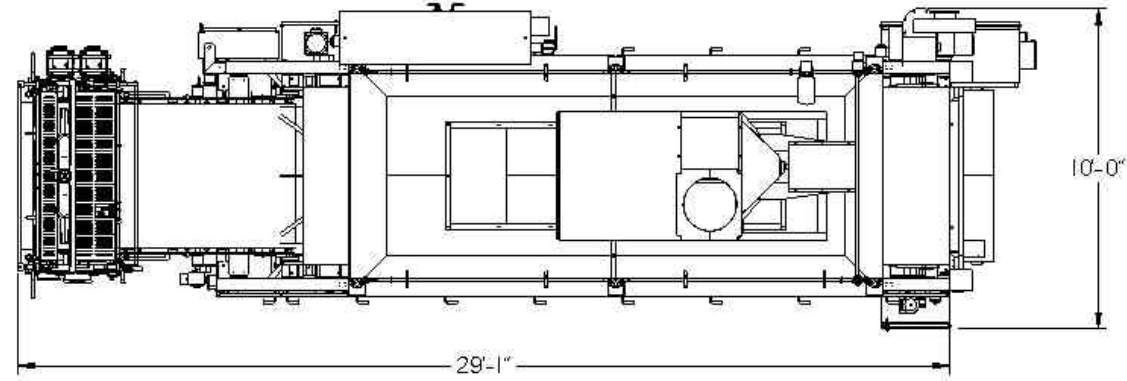
NOTES: UNLESS OTHERWISE SPECIFIED

1. ALL ELEVATIONS ARE REFERENCE FROM TOP OF FINISHED FLOOR ELEVATION +0'-0".
2. MECHANICAL CONTRACTOR TO DETERMINE THE LOCATION OF REQUIRED DUCT, STACKS AND PIPE SUPPORTS AS REQUIRED.
3. ALL DIMENSIONS, ELEVATIONS AND PIPE ROUTING ARE APPROXIMATE AND ARE PENDING FINAL CUSTOMER APPROVED LAYOUT.
4. MECHANICAL CONTRACTOR TO LOCATE EXACT PIPE ROUTING (UTILITIES) TO AVOID ANY INTERFERENCES W/ BLDG, STEEL, EQ OR FIRE SYSTEMS.

5. ELECTRICAL CONTRACTOR SHALL REFERENCE SYSTEM ELECTRICAL SCHEMATICS FOR VOLTAGE, CONTROL AND SIGNAL WIRING INTERCONNECTION BETWEEN CONTROL BOXES. REFERENCE UTILITY REQUIREMENT FOR ELECTRICAL, GAS, AIR AND WATER.
6. ALL ELECTRICAL VOLTAGE, CONTROL, SIGNAL CONDUIT AND WIRING INTERFACE BETWEEN COMPONENTS IS THE RESPONSIBILITY OF CUSTOMER U.O.N.
7. FLUE STACKS SHALL BE IN ACCORDANCE W/ LOCAL CODES OR GOVERNING BODIES AND ARE THE RESPONSIBILITY OF THE CUSTOMER.
8. STACK FLASHING AND SUPPORTS TO BE SUPPLIED AND INSTALLED BY CUSTOMER.

REVISION	CHANGE	DATE

PRELIMINARY
NOT FOR
CONSTRUCTION



ITEM	QTY.	DESCRIPTION	AIR cfm/psf	MOTOR QTY	MOTOR HP	WPS @480V	INV. CONT.
1	1	MAGNA 306 1250 X 6600 14 ROW	-	2	7.5 - 5	186	NN
2	1	CTO 274/250/226/68 TORTILLA OVEN	-	3	3 - 3 - 3	16	YNN

UTILITY LEGEND (W) WATER (A) AIR (G) NATURAL GAS BOLD/0818 (E) ELECTRICAL (F) FLUE STACK (C) CHILLED WATER (S) STEAM	Casa Herrera, Inc. 2665 NORTH PINE ST. POMONA, CALIFORNIA 917 67 Phone: 951-799-1400 FAX: 951-799-1401 Email: info@cherrera.com	SHEETER 14 ROW WITH OVEN MANUFACTURING SYSTEM DATE: 06/25/08 SALES ORDER: D NTS PART NUMBER: L-PY-TOMS-01 SHEET: 1 of 1
--	--	--