



HERRERA MASASIZER

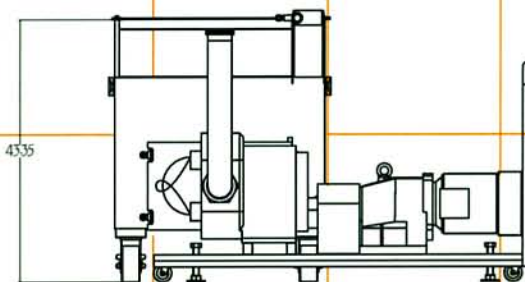
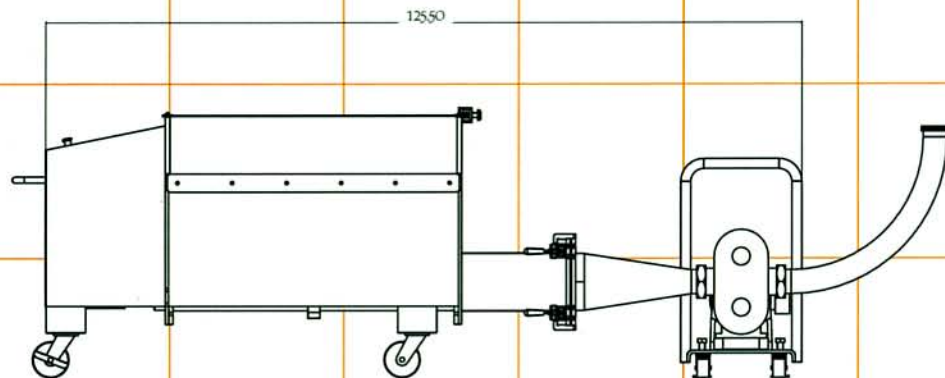
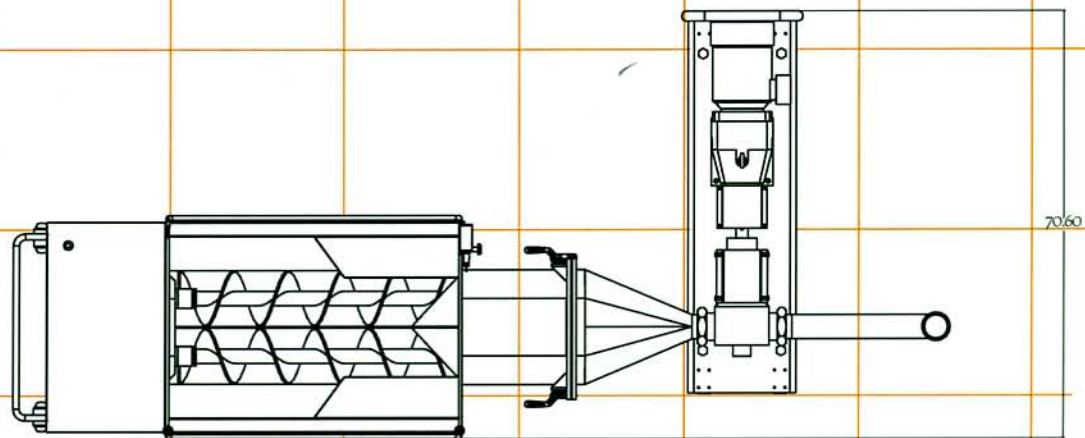
CASA HERRERA MASASIZER IS DESIGNED TO AUTOMATE YOUR CORN FLOUR MASA HANDLING FROM MIXER TO SHEETER. ALSO AVAILABE FOR FRESH COOKED CORN FROM YOUR CORN GRINDER TO YOUR SHEETER

PRODUCT FEATURES

- *Stainless steel Construction*
- *Reinforced base with large casters*
- *Large Capacity Hopper for Direct dumping from Mixer*
- *Reinforced Auger support shafts*
- *Front Nozzel plate on hinge for easy cleaning*
- *UHMW leak proof seals*
- *Heavy Duty type splined Auger drive shafts*
- *Auger support Rings with replaceable bushings*
- *Safety Cable with Emergency push button*
- *Motors with hollow gearbox*
- *Invertor type variable speed control*
- *UHMW leak proof seals*
- *Optional masa level sesor control at sheeter to masasizer*



FOR MORE INFORMATION CALL 800.624.3916



HERRERA MASASIZER

CASA HERRERA
MANUFACTURERS OF FOOD MACHINERY

2655 NORTH PINE STREET, POMONA, CALIFORNIA 91767
TELEPHONE: 909.392.3930 FAX: 909.392.023

WWW.CASAHERRERA.COM