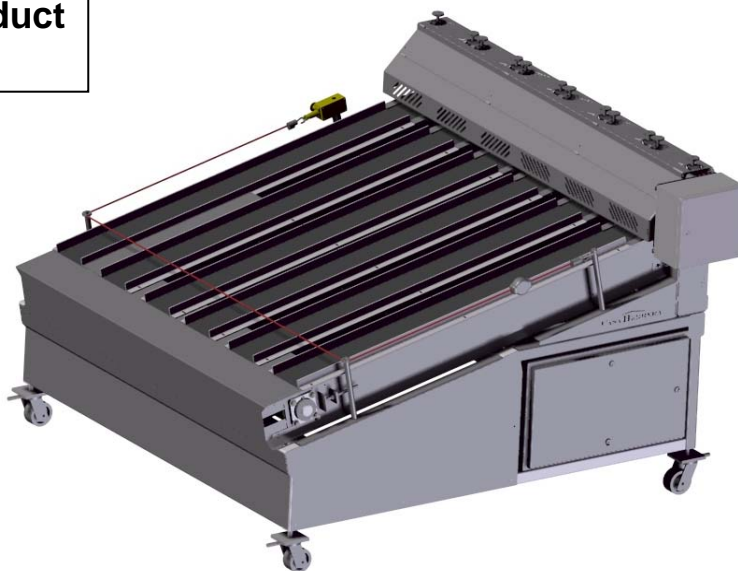


Continuous Chip Chopper

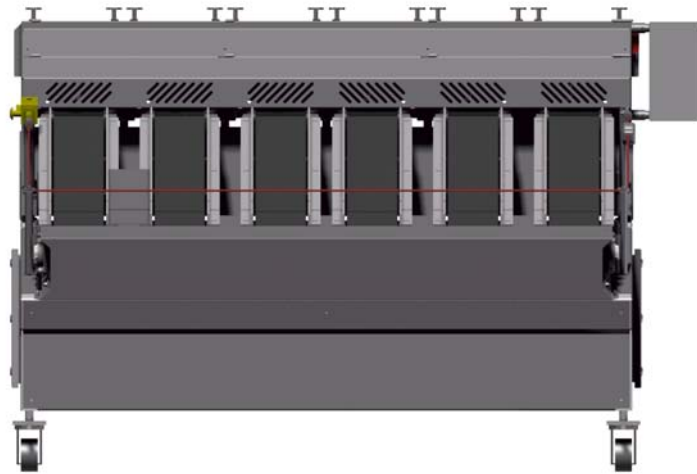
Call us with your product specifications.



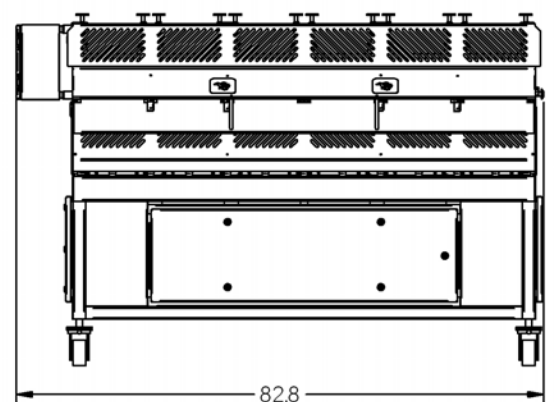
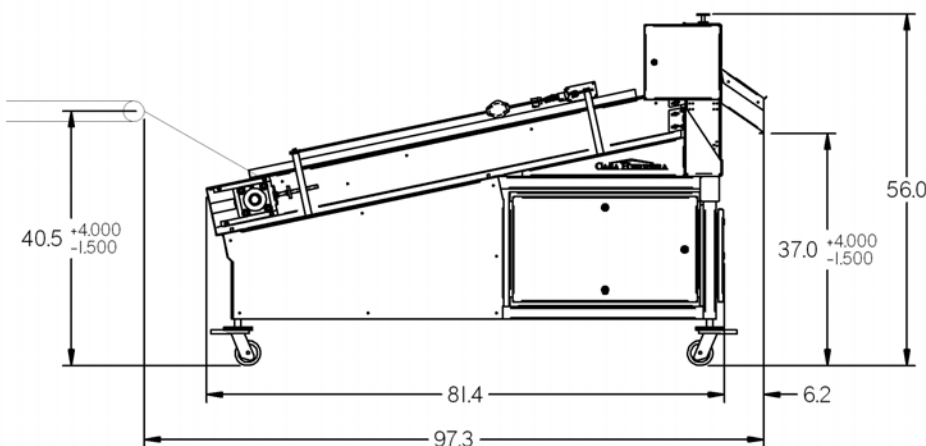
**Custom made from 2 to 8 Rows, 6" Round Product
For Turning Corn Tortillas, Flour Tortillas,
Pita Bread, or Any Flat Bread Into Chips**

- **Tortilla chopper for home style or restaurant style chips, strips. tortilla soup, etc.**
- **Continued inline production, no handling needed**
- **Two to eight rows of tortillas, 500 to 8,000 dozens per hour**
- **Ideal for cutting corn tortillas, flour tortillas, pita bread, flat bread, etc.**
- **Big savings in production and labor costs**
- **Easy change over with modular cutter assembly**

Continuous Chip Chopper



It May Be Customized For Almost Any Line



SHOWN: 6-ROW CORN CHIP CHOPPER

(DIFFERENT ROWS/WIDTHS AVAILABLE)