

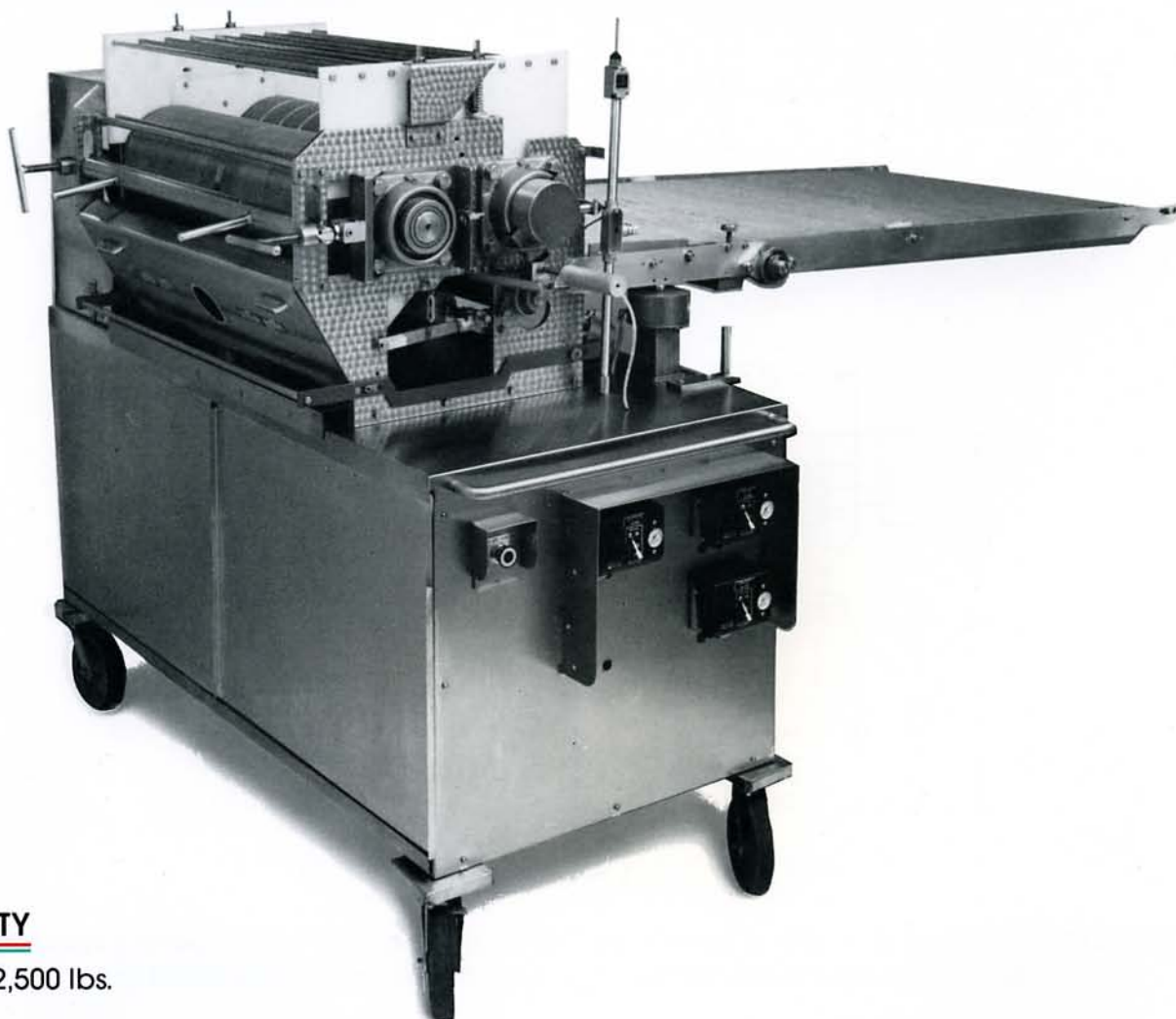
# Casa Herrera, Inc.

Manufacturers Of Food Machinery

5860 SOUTH METTLER STREET, LOS ANGELES, CA 90003 • (213) 233-3211 (800) 624-3916 FAX (213) 234-3359

## MARCONI (WIRELESS) SHEETER HEAD

Casa Herrera Model 1039



### CAPACITY

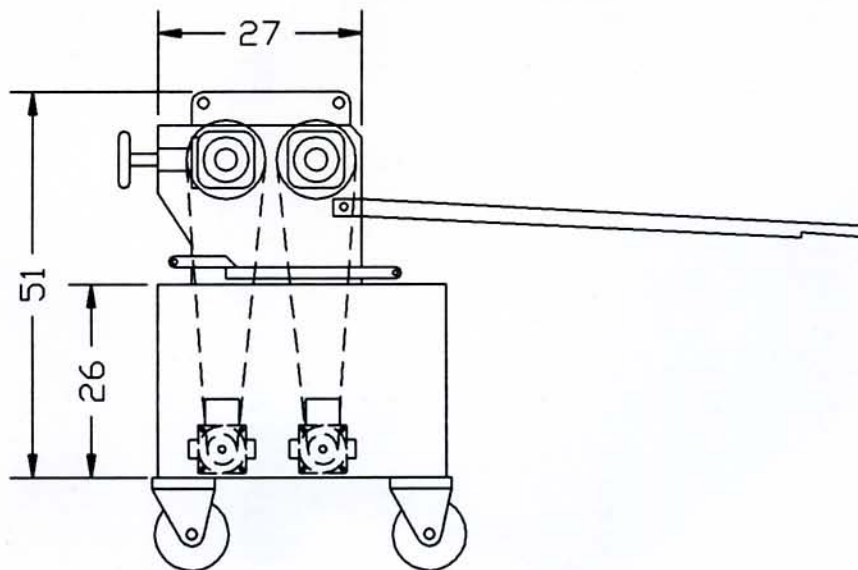
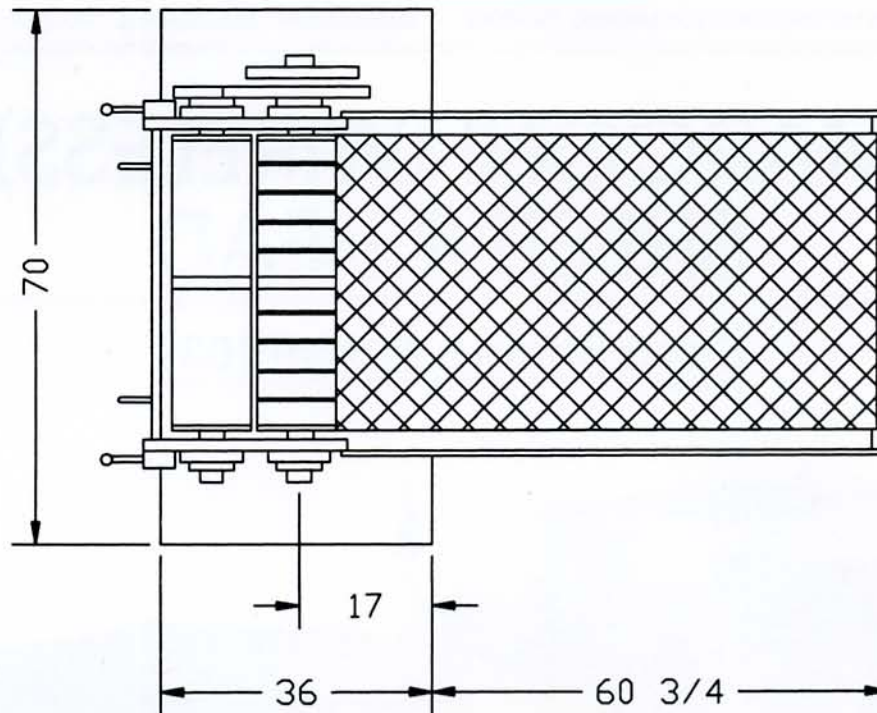
1,000 to 2,500 lbs.

The Marconi is designed for high production of corn tortillas and tortilla chips. This extra-wide unit sheets a broad range of masa moistures and easily handles decreased weight variances. Even with the thinnest product Marconi assures excellent product appearance.

Up-to-date engineering innovations enable the Marconi to handle the most demanding production needs at low maintenance cost. Offers motorized weight controls (optional), self-aligning bearings for increased bearing life, and inverter motor controls.

# MARCONI (WIRELESS) SHEETER HEAD

Casa Herrera Model 1039



Whether you need a single piece of quality equipment or a complete production system for your tortilla and tortilla chip line, call Casa Herrera.

We are constantly working to improve our products. Specifications subject to change without notice.

© CASA HERRERA, INC.

**Casa  
Herrera, Inc.**  
Manufacturers Of Food Machinery

5860 SOUTH METTLER STREET, LOS ANGELES, CA 90003 • (213) 233-3211 (800) 624-3916 FAX (213) 234-3359